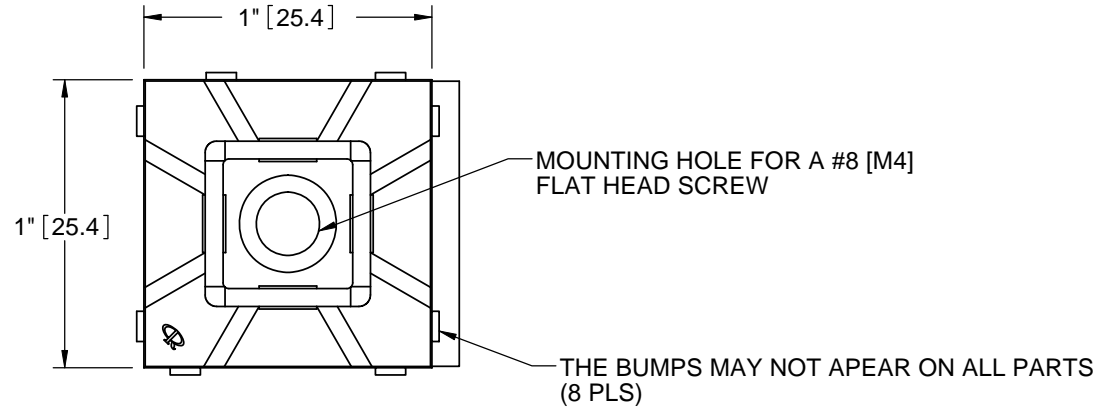
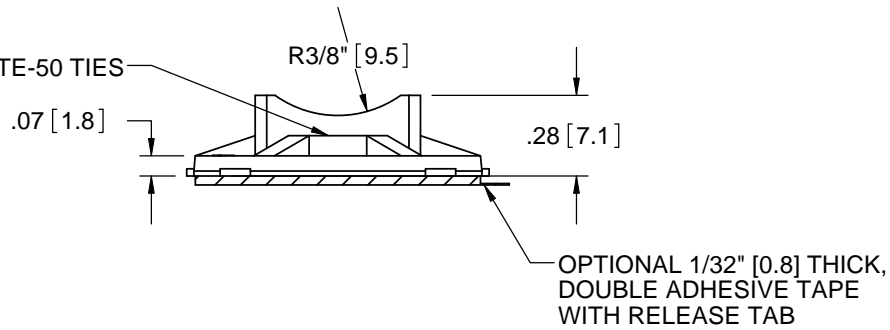


PART NO.	MATERIAL	COLOR	ADHESIVE
FTH-7-01	NYLON 6/6 (RMS-01)	NATURAL	NONE
FTH-7A-RT			ACRYLIC TAPE (RMS-15), WHITE LINER
FTH-7A1-RT			RUBBER TAPE (RMS-102), BLUE LINER
FTH-7-UVB	UVB STABILIZED NYLON (RMS-46)	BLACK	NONE
FTH-7A-RT-UVB			ACRYLIC TAPE (RMS-15), WHITE LINER
*FTH-7A1-RT-UVB			RUBBER TAPE (RMS-102), BLUE LINER

*AVAILABLE BY SPECIAL ORDER ONLY.



ACCOMODATES
WIT-50, WIT-60, AND QTE-50 TIES



NOTES:
1. MATERIAL: FLAME RETARDANT NYLON 6/6 (RMS-19)
COLOR NATURAL.
AVAILABLE BY SPECIAL ORDER ONLY.
TO ORDER USE P/N: FTH-7-19 (WITHOUT TAPE).
FTH-7A-RT-19 (WITH TAPE)

TITLE: FLAT TIE HOLDER				DWG IN IN [MM]	FINAL	PRINT TYPE
CREATED USING SOLIDWORKS	FILE #: FTH-7	DWN: SK	APP: R.T.			
TOLERANCES UNLESS NOTED .XX=±.010 .XXX=±.005 FRAC.=±1/64 ANG.=±1°	SHEET: 1 OF 1	SHEET SIZE: A	DT: 10/30/08	CHKD: R.G.	PART #	
	RE: RICHCO, INC.		RICHCO, INC. ENG@RICHCO-INC.COM (773) 539-4060		SEE TABLE	CA

REV.	DESCRIPTION	ENGR.	DATE
F	SEE CO 200248 FOR CHANGES	SK	10.30.08
-	SEE ENGINEERING FOR REV. A-E	-	----